



# A600

单声道功率放大器  
MONAURAL POWER AMPLIFIER





1. 不可自行开启本机进行







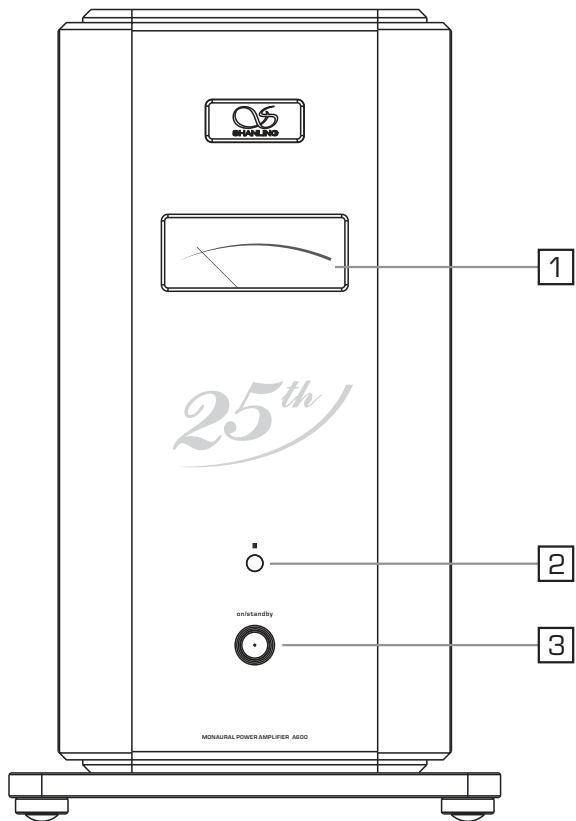
# A600 MONAURAL POWER AMPLIFIER

---

SHANLIN

Thank you for buying monaural power amplifier. We would like to take this opportunity to express our sincere appreciation to you. We recommend you to read this user's manual carefully before operating the unit and keep it available for reference when needed.

1. Do not open this unit for repair or modification by anyone other than a qualified technician! This product has no user-serviceable parts. Opening the unit and modifying the internal circuitry can make subsequent maintenance difficult or impossible and affect performance and sound quality.
  2. For good ventilation, a minimum of 10cm clearance shall be maintained at the back and two sides and 20cm at the top of the unit.
  3. Allow no water dripping or splashing into the unit. Place no object containing liquid on the unit, e.g. Vase.
  4. Do not cover any ventilation hole with newspaper, cloth, curtain, etc. in case of ventilation blocking.
  5. Allow no exposed flame source on the unit, e.g. burning candle.
  6. The unit shall be connected to AC power output socket with grounding protection.
  7. If power plug and appliance coupler are used as disconnecting device, the disconnecting device shall be easily operable.
  8. The waste battery must be treated according to relevant local battery wasting regulations.
-



IF ©

{ ( ) }

{ ( ) }

## ■ Turn on/off

1. First connect the unit power line and signal line. Locate the power switch on the rear panel at the position [ON], and the power indicator on the panel turns red. At this time, press [on/standby] key or [POWER] key on the remote controller, and the indicator turns green and blinks. After about 3 seconds, the unit enters normal working status.
2. To turn off this unit, first press [on/standby] key on the panel or [POWER] key on the remote controller, and then locate the power switch on the rear panel at the position [OFF]. At this time, the unit is in "off" status.
3. If the unit is not to be used for some time, it should be unplugged to disconnect it from AC power.

## ■ Input Switching

Push the switch on the rear panel to switch between RCA and XLR audio signal inputs. Push up to enter XLR input and down for RCA input.

## ■ Output Protection

When the output of the unit is overloaded, the power indicator on the panel turns red and blinks. At this time, turn off the unit power and eliminate the overload causes. After about 5 minutes, turn on the unit again to make it work properly.

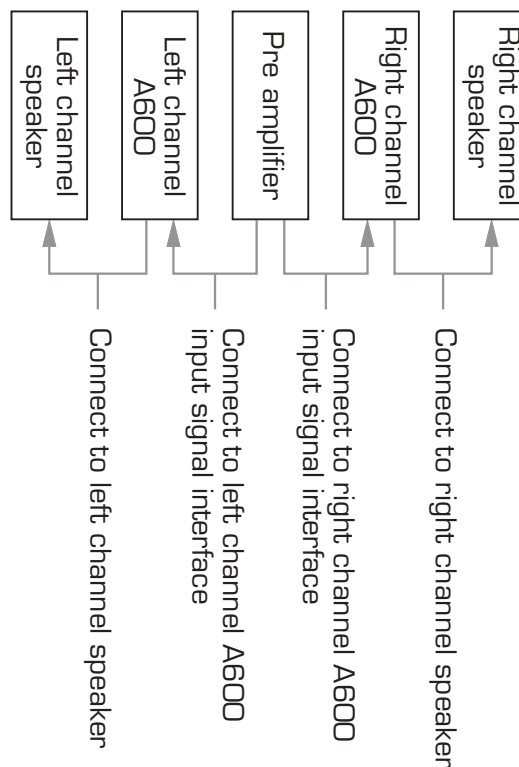
## ■ Remote Controller

The unit may share a remote controller with Shanling D600/P600/T600 to control the standby "on/off". However, it will not be included in the accompanying accessories. If you need it, please purchase one.

## ■ Connection

1. Since the unit is a monaural power amplifier, two units together work as a stereo amplifier system.
2. Place two A600 units, one on the right and one on the left of the pre amplifier.
3. Connect the left and right channel signals outputted from the pre amplifier respectively to two A600 input signal interfaces, the left channel signal to the left A600 and the right channel signal to the right A600.
4. Connect the speaker terminal of the left A600 to the left channel speaker, and the speaker terminal of the right A600 to the right channel speaker.

### ● Schematic Diagram of Connection





Technical parameters	Input sensitivity: 4.2V/10K $\Omega$ (XLR), 2.1V/10K $\Omega$ (RCA) Max. output power: 450W/8 $\Omega$ , 800W/4 $\Omega$ , 1000W/2 $\Omega$ Frequency response: DC - 50KHz ( - 0.5dB) Distortion: <0.005% Signal noise ratio: >110dB
General parameters	Power consumption: 208W Standby power consumption: <0.5W Dimension (W x D x H): 300 x 470 x 496(mm) Net weight: about 62kg



Power cord w/3-prong plug: 1 3.5mm double channel earphone connection line: 1 User's manual: 1 copy Warranty card: 1
---



公司名称 深圳山灵